

Heating

Product Information

EHPT15-30X-UKHCW
FTC5 Pre-plumbed Standard Cylinders
for Ecodan Monobloc Units

Making a
World of
Difference



Pre-plumbed space heating and domestic hot water cylinder for Ecodan monobloc air source heat pumps

The pre-plumbed standard cylinder comes complete with integrated hydraulic components and advanced controls.

Designed to integrate with the Ecodan monobloc air source heat pump range, the standard cylinder provides improved performance and faster heat up times through the use of plate heat exchanger technology. Fast commissioning via an SD card and energy monitoring functions are now included.

Key Features

- Simple graphical control
- Optional 2-zone energy efficient space heating control
- Compatible with Mitsubishi Electric wireless room controllers
- Pre-plumbed and wired for faster installation
- Hybrid function, for use with conventional boilers
- SD card commissioning
- Energy monitoring as standard



Air Conditioning | Heating
Ventilation | Controls



ecodan[®]
Renewable Heating Technology

Heating

Product Information

EHPT15-30X-UKHCW FTC5 Pre-plumbed Standard Cylinders for Ecodan Monobloc Units

Making a
World of
Difference

ADVANCED CONTROLLER – WITH ENERGY MONITORING

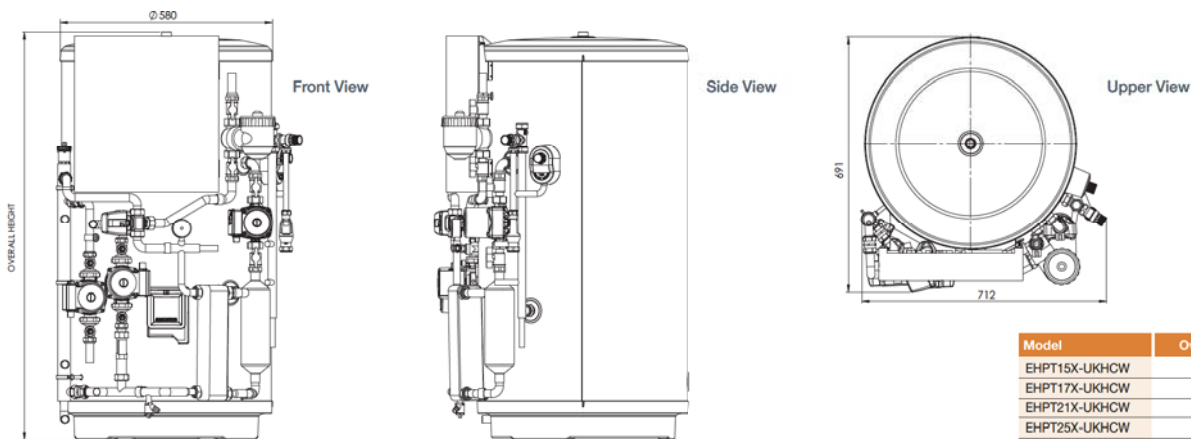


Mitsubishi Electric's fifth generation controller (FTC5) includes intelligent room temperature control as standard. This together with advanced weather compensation ensures the system delivers efficient, comfortable heating regardless of the season. FTC5 now also includes energy monitoring showing consumed and produced energy.

CYLINDER		EHPT15X-UKHCW	EHPT17X-UKHCW	EHPT21X-UKHCW	EHPT25X-UKHCW	EHPT30X-UKHCW
NOMINAL HOT WATER VOLUME (LITRES)		150	170	210	250	300
WATER		Flow Rate (l/min) W50 - W85 - W112 - HW140		14.3 - 25.8 - 32.1 - 40.1		
		Primary Pump		2 x Grundfos UPS2 25-60		
		Sanitary Hot Water Pump		Grundfos UPSO 15-60 CIL2		
		Connection Size (mm) Heating / DHW (mm)		22		
		Primary Expansion Vessel (Litres)		12		
		Charge Pressure (MPa (Bar))		0.35 (3.5)		
WATER SAFETY DEVICES		Control Thermistor (°C)		1 - 80		
		Pressure Relief Valve (MPa (Bar))		0.3 (3)		
		Expansion Relief Valve (Cold)		0.8 (8)		
		Control Thermistor		40-70		
		High Limit Stat (°C)		Mechanical 80		
		Temp and Pressure Relief Valve (°C) / (MPa (Bar))		90 / 1.0 (10)		
DIMENSIONS (mm)		Width		712		
		Depth		691		
		Height		1113		
WEIGHT EMPTY / FULL (kg)		56 / 206		62 / 232		69 / 279
CYLINDER MATERIAL		Stainless Steel		Stainless Steel		Stainless Steel
		Cylinder Material		Stainless Steel		Stainless Steel
		Insulation		CFC / HCFC-free flame-retardant expanded Polyurethane		Stainless Steel
		Insulation Type		CFC / HCFC-free flame-retardant expanded Polyurethane		Stainless Steel
		Insulation Thickness (mm)		60		60
		Standing Heat Loss (kWh/24hrs)		1.19		1.32
		GWP of Insulation		3.1		3.1
		ODP of Insulation		0		0
ELECTRICAL DATA		Control Board		Electrical Supply		220-240v, 50Hz
		Phase		Single		Single
		Fuse Rating - MCB Sizes (A) ¹		10		10
		Immersion Heater		Electrical Supply		220-240v, 50Hz
		Phase		Single		Single
		Capacity (kW)		3		3
		Max Running Current (A)		13		13
		Fuse Rating - MCB Sizes (A) ¹		16		16
MECHANICAL ZONES				DHW and 1 Heating Zone ²		
OPTIONAL SIMPLIFIED WIRELESS ROOM THERMOSTAT AND WIRELESS RECEIVER				PAR-WT50-E Controller and PAR-WR51-E Receiver		

Cylinder includes: Flow Temperature Controller (FTC5) with Main Controller and Temperature Sensors, Magnetic & Cyclonic Filter, Pumps & Valves for Zone 1 and DHW use, Flow Sensor, Plate Heat Exchanger, Scale Trap, 3kW Immersion Heater and Expansion Vessel.
¹ MCB Sizes BS EN60898-2 & BS EN60947-2 ² Optional 2 zone accessory pack available

DIMENSIONS



Model	Overall Height
EHPT15X-UKHCW	1113
EHPT17X-UKHCW	1239
EHPT21X-UKHCW	1491
EHPT25X-UKHCW	1743
EHPT30X-UKHCW	2057

*All dimensions in mm



Telephone: 01707 282880

email: heating@meuk.mee.com web: heating.mitsubishielectric.co.uk

UNITED KINGDOM Mitsubishi Electric Europe Living Environmental Systems Division
 Travellers Lane, Hatfield, Hertfordshire, AL10 8XB, England General Enquiries Telephone: 01707 282880 Fax: 01707 278881

IRELAND Mitsubishi Electric Europe Westgate Business Park, Ballymount, Dublin 24, Ireland
 Telephone: Dublin (01) 419 8800 Fax: Dublin (01) 419 8890 International code: (003531)

Country of origin: United Kingdom – Japan – Thailand – Malaysia. ©Mitsubishi Electric Europe 2015. Mitsubishi and Mitsubishi Electric are trademarks of Mitsubishi Electric Europe B.V. The company reserves the right to make any variation in technical specification to the equipment described, or to withdraw or replace products without prior notification or public announcement. Mitsubishi Electric is constantly developing and improving its products. All descriptions, illustrations, drawings and specifications in this publication present only general particulars and shall not form part of any contract. All goods are supplied subject to the Company's General Conditions of Sale, a copy of which is available on request. Third-party product and brand names may be trademarks or registered trademarks of their respective owners.



Printed in January 2015 SAP No. 282530



www.greengateway.mitsubishielectric.co.uk
 Mitsubishi Electric UK's commitment
 to the environment

Follow us @meuk_les
 Follow us @green_gateway

Mitsubishi Electric
 Living Environmental Systems UK

mitsubishielectric2